

20-Minute Fire-Rated Frame



9200 SE Sunnybrook Blvd., Suite 200
Clackamas, OR 97015 | 800.345.2232

Installation Instructions (Pine and FrameSaver®)

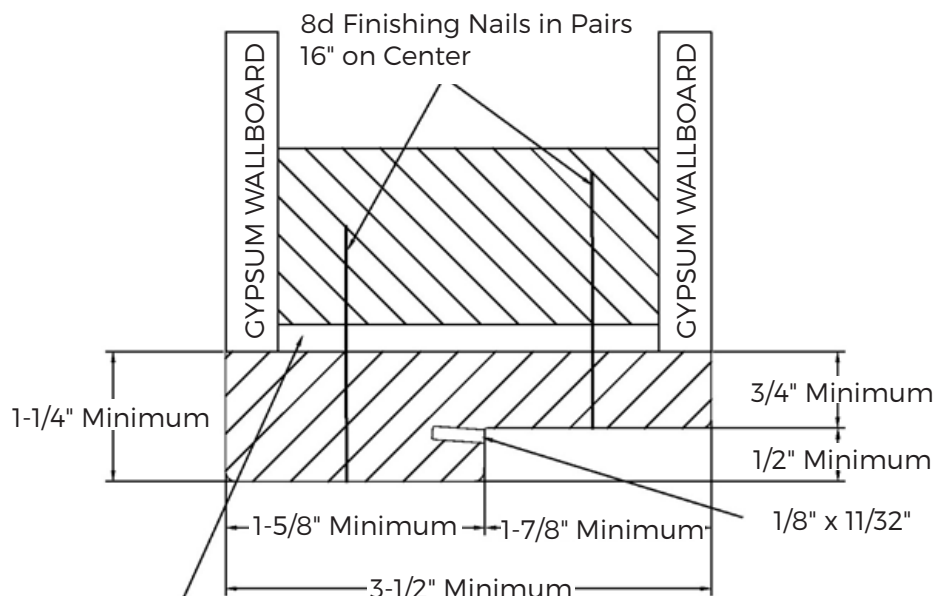
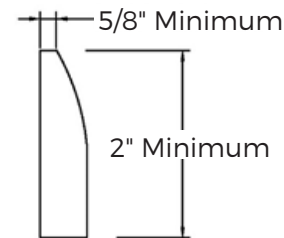
NOTES:

- Door Unit Maximum Sizes Allowed:
 - Single Door = 4'0" Wide x 9'0" High
 - Double Door = 8'0" Wide x 9'0" High
- Hinges:
 - Hinges must comply with NFPA 80

STEP 1: FASTEN FRAME AND CASING (AT JAMBS AND HEADER) TO ROUGH OPENING



- Note the requirements on gap size between the back of jamb and header, and face of rough opening stud.
- Note requirements on nail size, location and quantity.



Casing/Trim/Brickmould:

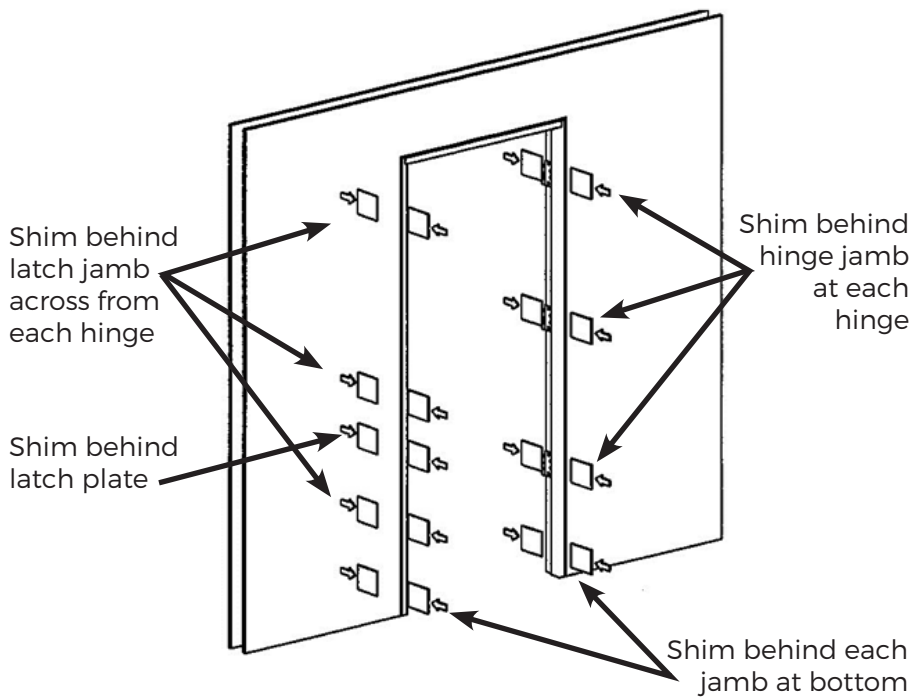
- Attach with 6d Finishing Nails, 16" On Center
- Required on interior and exterior sides of unit
- Pine (Solid or finger-jointed) or other wood of equal or greater density allowed.

Clearance:

- Maximum gap of 1/4" without fiberglass insulation
- Maximum gap of 1/2" with fiberglass insulation (gypsum to gypsum with no voids)

NOTE: Applies to both jambs and header.

STEP 2: PLACE SHIMS



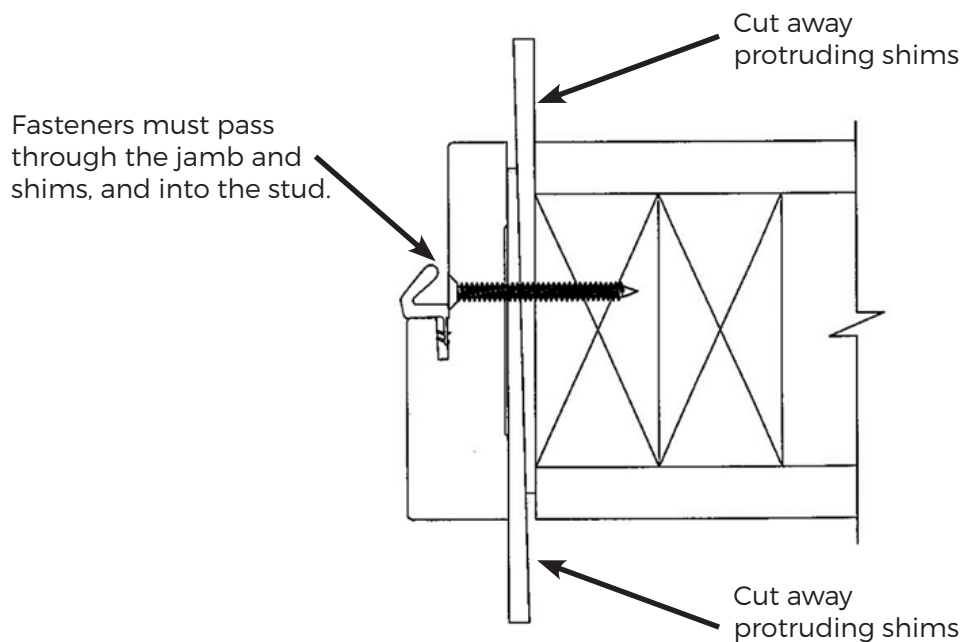
Hinge Screws - At each hinge use the following fasteners:

- (2) # 8 x 1-1/4" wood screws - place in holes closest to edge of jamb
- (2) # 12 x 2-1/2" wood screws - place in holes closest to center of jamb

Latch Plate Screws - Use the following fasteners:

- (2) # 8 x 2-1/2" wood screws

STEP 3: SECURE SHIMS



ADDITIONAL NOTES:

- Trimming for height may be done on the panel bottom rail only (per NFPA 80, maximum trim of 3/4"/19.0 mm allowed on site).
- Trimming for height is not allowed for Steel Doors.
- Surface mounted hardware must be attached with through bolts unless interior blocking is provided.
- A maximum 1/8" (3.2mm) clearance between the frame and door is allowed.
- A maximum 1/8" (3.2mm) clearance between the top leaf and the bottom leaf of dutch door, or transom and door, or between leaves of pairs, is allowed.